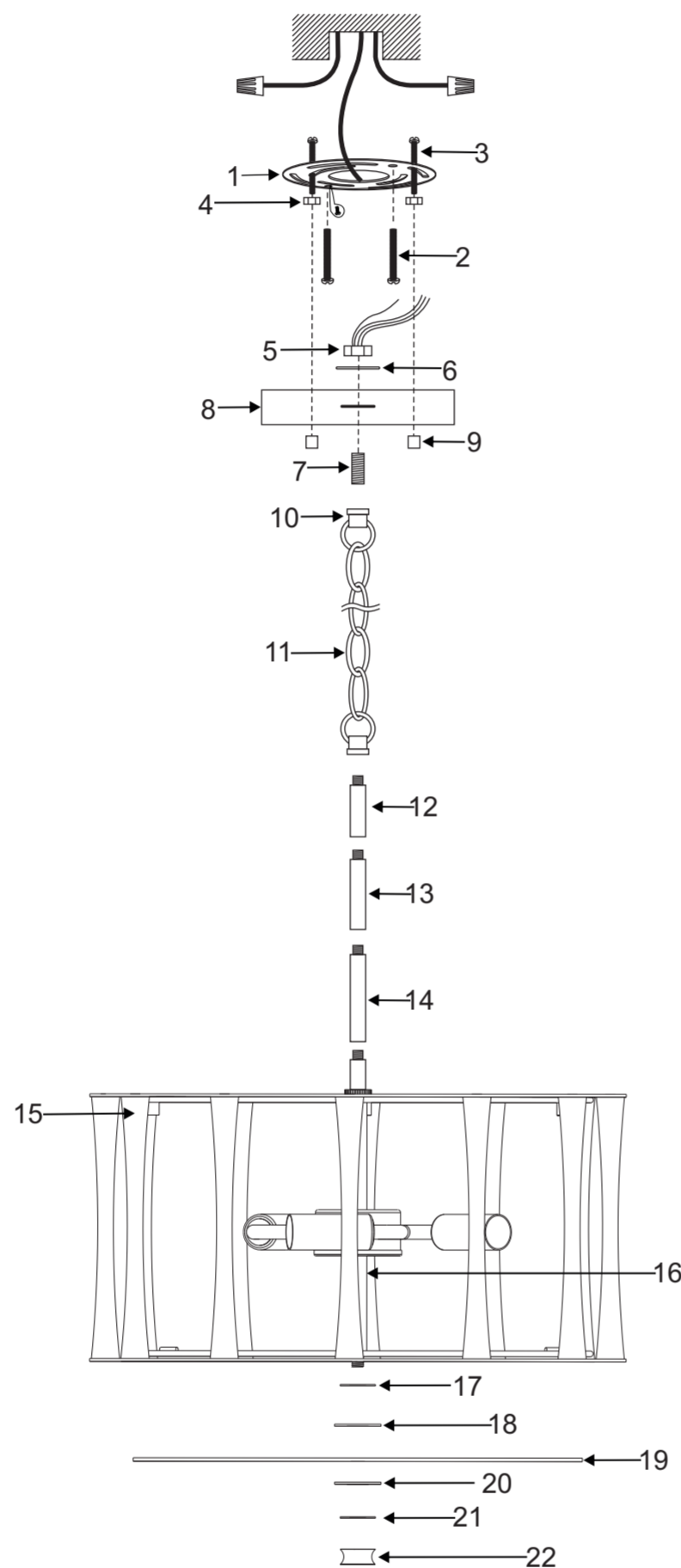


ASSEMBLY AND INSTALLATION INSTRUCTIONS for the 244631 Fixture

Important Safety information (Please read before proceeding)

1. Remove the fixture, parts and all mounting hardware bags (marked with red tape) from the carton and verify that all parts are present according to the illustration sheet. All parts must be used as indicated. Do not replace any parts, leave any parts out, or use any parts which are worn out or broken. **Failure to follow the instructions could cause a hazardous situation, voids the warranty and violates the U.L. listing of the fixture.**
2. To prevent an electric shock, turn off the main power at the circuit breaker before installing the fixture. **NEVER attempt to install, clean or replace bulbs without shutting off the electricity to the fixture.**
3. **Never use light bulbs with wattage ratings that exceed the fixtures maximum rating.** Always make sure the electric current is turned off before changing the bulbs.
4. If you experience difficulties installing the lighting fixture or it fails to work as expected, please contact a local qualified licensed electrical contractor.
5. Please contact your local Capital Lighting Fixture reseller with any assembly or installation questions. Your local reseller can also provide you with replacement parts for your new fixture.



Components

1. Mounting Bar w/Green Screw
2. Outlet Box Mounting Screws
3. Mounting Screws (8/32)
4. Hex Nuts (8/32)
5. Hex Nut
6. Washer
7. Nipple
8. Canopy
9. Cylinder Nuts
10. Loop
11. Chain
12. 6" Rod
13. 12" Rod
14. 18" Rod
15. Fixture
16. Center Stem
17. Flat Washer
18. Rubber Washer
19. Acrylic Diffuser
20. Rubber Washer
21. Flat Washer
22. Finial

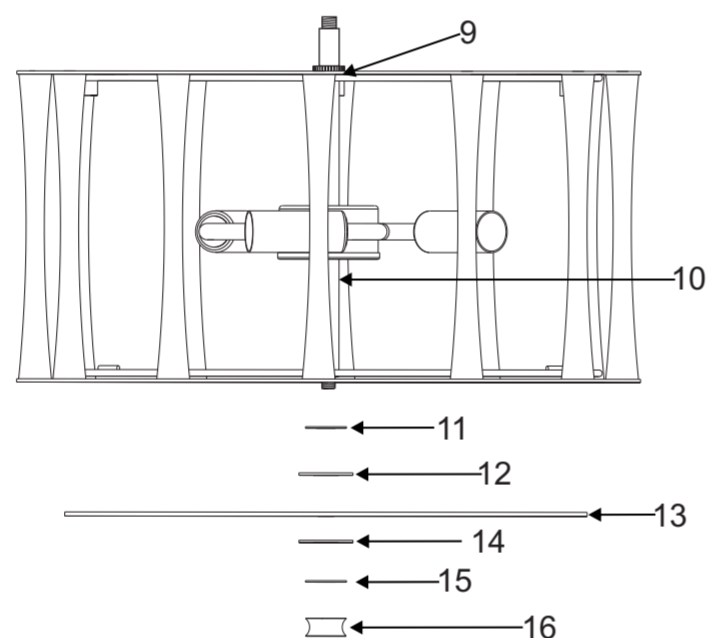
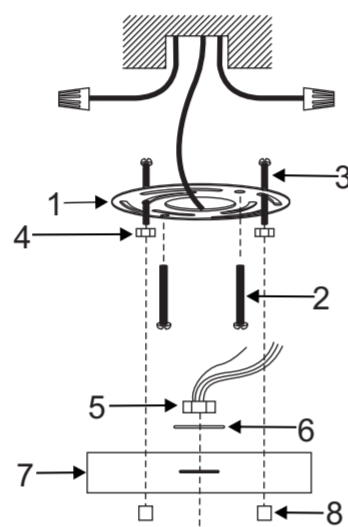
Assembly Instructions for hanging the 244631 fixture

1. Put one set of Flat washer (17) and Rubber washer (18) onto top of Acrylic Diffuser (19), make sure the holes are line, then raise Acrylic Diffuser (19) with another set of Rubber washer (20) and Flat washer (21) over end of center stem (16). After that secure Acrylic Diffuser (19) to Bottom of Fixture (15) with Finial (22). (DO NOT over tighten.)
2. Pass Lead wire from fixture (15) through unassembled Rod (14) Rod (13) and Rod (12), then screw all together. Note The fixture height can be adjusted by varying the number of Rods or chain used in the assembly.
3. Pass lead wire through chain (11) loop (10) Nipple (7) and canopy (8) then slip lock washer (6) thread Hex nut (5) on to Nipple (7). Finally, tighten hex nut (5) to secure Loop (10) To Canopy (8).
4. Find appropriate threaded holes on Mounting bar (1), and assemble mounting screw (3) into threaded holes with Hex nuts (4).
5. Attach mounting bar (1) to outlet Box with Outlet Box mounting Screws (2).
6. Connect fixture ground wire to the outlet box ground wire with wire connector supplied, connect the common wire of the lamp cord to the Power supply with the wire with wire connector supplied, connect supply wire of the lamp cord to the power supply black wire with wire connector Supplied. *Note: this Fixture is wired using 2 conductor lamp cord. The insulation between the two conductor one of the lamp cord can be split down the center for better access to the two conductor. the common wire of the lamp cord is identified as the conductor with ribs embossed in the rubber wire insulation.*
7. Push Fixture to ceiling carefully passing mounting screws (3) through holes in canopy (8) then verify all wires are securely inside canopy (8). Finally, secure fixture to ceiling with cylinder nuts (9).

ASSEMBLY AND INSTALLATION INSTRUCTIONS for the 244631 Semi Flush Fixture

Important Safety information (Please read before proceeding)

1. Remove the fixture, parts and all mounting hardware bags (marked with red tape) from the carton and verify that all parts are present according to the illustration sheet. All parts must be used as indicated. Do not replace any parts, leave any parts out, or use any parts which are worn out or broken. **Failure to follow the instructions could cause a hazardous situation, voids the warranty and violates the U.L. listing of the fixture.**
2. To prevent an electric shock, turn off the main power at the circuit breaker before installing the fixture. **NEVER attempt to install, clean or replace bulbs without shutting off the electricity to the fixture.**
3. **Never use light bulbs with wattage ratings that exceed the fixtures maximum rating.** Always make sure the electric current is turned off before changing the bulbs.
4. If you experience difficulties installing the lighting fixture or it fails to work as expected, please contact a local qualified licensed electrical contractor.
5. Please contact your local Capital Lighting Fixture reseller with any assembly or installation questions. Your local reseller can also provide you with replacement parts for your new fixture.



Components

1. Mounting Bar w/Green Screw
2. Outlet Box Mounting Screw
3. Mounting Screws
4. Hex Nut (8/32)
5. Hex Nut
6. Washer
7. Canopy
8. Cylinder Nuts
9. Fixture
10. Center Stem
11. Flat Washer
12. Rubber Washer
13. Acrylic Diffuser
14. Rubber Washer
15. Flat Washer
16. Finial

Assembly Instruction for the 244631 Semi Flush Fixture

1. Put one set of Flat washer (11) and Rubber washer (12) onto top of Acrylic Diffuser (13), make sure the holes are line, then raise Acrylic Diffuser (13) with another set of Rubber washer (14) and Flat washer (15) over end of center stem (10). After that secure Acrylic Diffuser (13) to Bottom of Fixture (9) with Finial (16). (DO NOT over tighten.)
2. Pass lead wire from top of fixture (9) through Canopy (7), then slip washer (6), Thread Hex Nut (5) onto Nipple end of fixture top (9). Finally screw all together tightly.
3. Find appropriate threaded holes on mounting bar (1), and assemble mounting screws (3) into threaded holes with Hex nuts (4).
4. Attach Mounting bar (1) to outlet Box with outlet Box Mounting screws (2).
5. Connect fixture ground wire to the outlet box ground wire with wire connector supplied; connect the common wire of the lamp cord to the power supply white wire with wire connector supplied; connect supply wire of the lamp cord to the power supply black wire with wire connector supplied. *Note: this Fixture is wired using 2 conductor lamp cord. The insulation between the two conductor one of the lamp cord can be split down the center for better access to the two conductor. the common wire of the lamp cord is identified as the conductor with ribs embossed in the rubber wire insulation.*
6. Push fixture to ceiling carefully passing mounting screws (3) through holes in Canopy (7) then verify all wires are securely inside Canopy (7). Finally, secure fixture to ceiling with cylinder nuts (8).